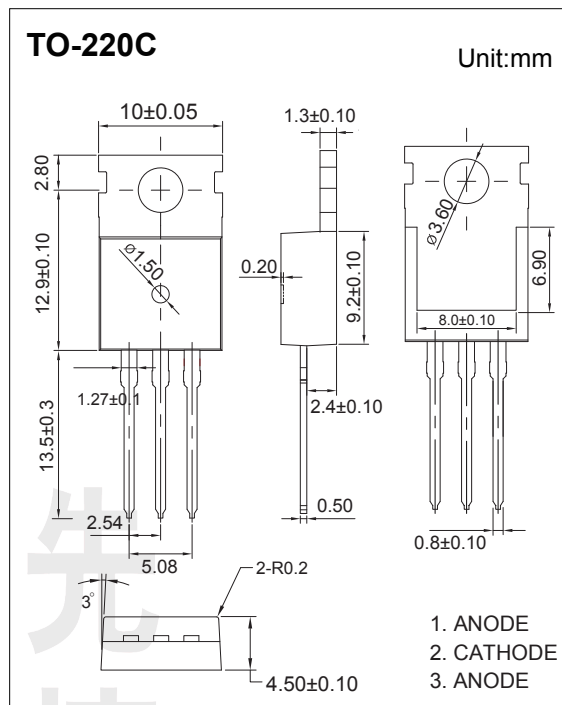
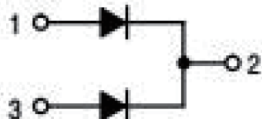


Ultrafast Rectifier MUR2040CT

■ Features

- Guarding for over voltage protection
- Dual rectifier construction, positive center tap
- Metal of silicon rectifier, majority carrier conduction
- Low forward voltage, high efficiency
- 100% avalanche tested
- Minimum Lot-to-Lot variations for robust device performance and reliable operation



■ Absolute Maximum Ratings Ta = 25°C

Parameter	Symbol	Rating	Unit
Repetitive peak reverse voltage	V _R RM	400	V
Working peak reverse voltage	V _R WM		
DC blocking voltage	V _R		
Average rectified output current	I _{FAV}	10	A
Per Leg		20	
Total device			
Non-Repetitive peak forward surge current	I _{FSM}	150	
Power dissipation	P _D	76	W
Thermal Resistance, Junction to Case	R _{θJC}	2	°C/W
Junction temperature	T _J	150	°C
Storage temperature	T _{STG}	-55 to 150	

■ Electrical Characteristics Ta = 25°C

Parameter	Symbol	Test conditions	Min	Typ	Max	Unit
Reverse breakdown voltage	V _(BR)	I _R =0.1mA	400			V
Reverse voltage leakage current	I _R	V _R = V _{RWM} ; T _J =125°C			250	uA
		V _R = V _{RWM}			10	
Forward voltage	V _F	I _F =10A; T _J =25°C			1	V
Maximum Reverse Recovery Time	t _{rr}	I _F =1A			50	nS